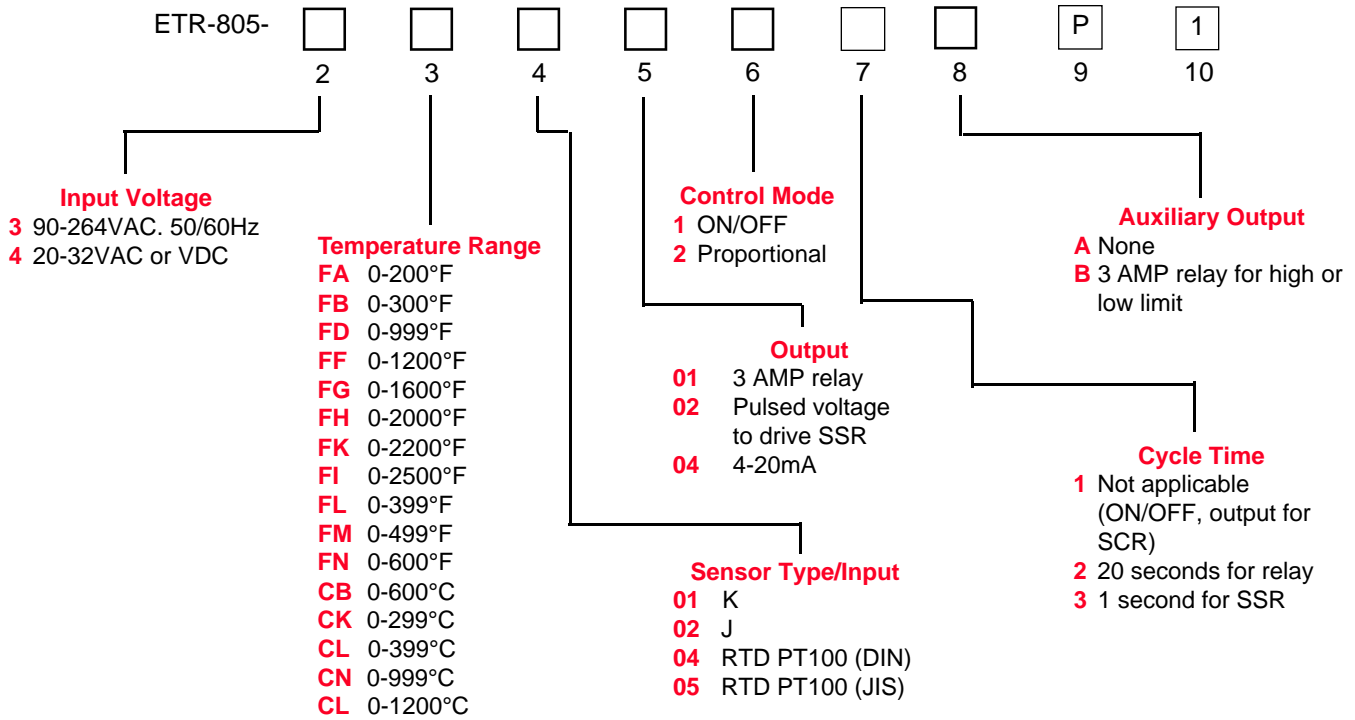


ORDERING INFORMATION FOR 1/2 DIN ETR® TEMPERATURE CONTROLS*



EXAMPLE: ETR-805-3 FD 02 02 2 A 3 P 1

Blocks 6 and 8 must be in agreement

**Not all selections are adaptable from stock items--See Stock List*